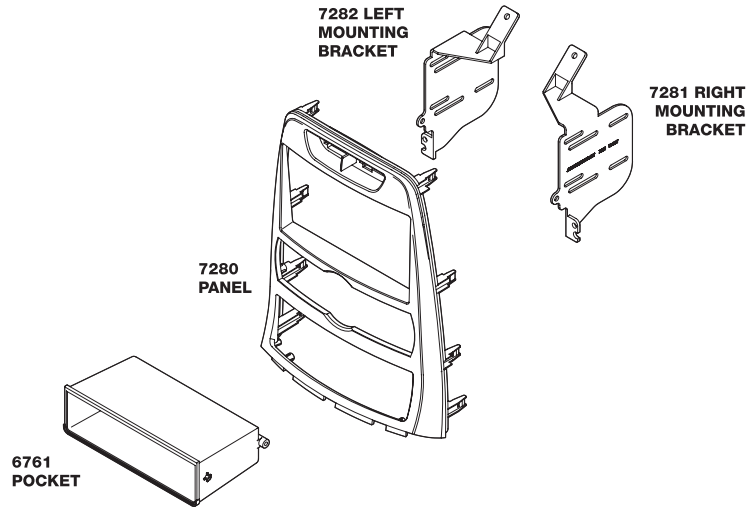


IN-DASH STEREO INSTALLATION KIT FOR 2010 HYUNDAI GENESIS COUPE (WITH AUTOMATIC CLIMATE CONTROLS & NON-NAVIGATION)



INTRODUCTION/PRELIMINARY

This premium installation kit is for 2010 Hyundai Genesis vehicles. Included are all the parts you need to mount your car stereo or CD player into your vehicle's dash. Refer to the individual instruction in this manual to remove your vehicle's factory radio and assemble the kit.

CAUTION

DISCONNECT YOUR VEHICLE'S NEGATIVE BATTERY TERMINAL BEFORE THE INSTALLATION TO HELP PREVENT ELECTRICAL DAMAGE. WE RECOMMEND THE USE OF A VOLT/OHM METER OVER A TEST LIGHT TO CHECK WIRING. A TEST LIGHT OR GROUNDED WIRE PROBE CAN CAUSE DAMAGE TO THE VEHICLE'S COMPUTER AND/OR DIAGNOSTIC SYSTEMS. AVOID ALL FACTORY AIRBAG WIRING - AIRBAGS CAN ACCIDENTALLY DEPLOY CAUSING SERIOUS INJURY OR DEATH.

NOTES

- See your vehicle's instructions for any special tools your installation might require.
- Read all instructions accompanying your car stereo for proper wiring and mounting instructions.

FACTORY WIRING CODES

For Factory Wiring Codes go to: www.scosche-cars.com

CAR STEREO CONNECTORS

PROVIDE EASY CONNECTION OF YOUR CAR STEREO TO FACTORY WIRING HARNESS.

HY11B	KAAB
2008-Up Hyundai Premium Sound Harness (amplified systems only)	2008 Select Kia / Hyundai Antenna Adapter



LIABILITY DISCLAIMER

This instruction booklet is based on carefully documented data and research of automobile dash disassembly, wire harness/codes and information pertaining to installation of this kit (HY1628B/SB) in 2010 Hyundai Genesis vehicles. Scosche Industries, Inc. cannot be held responsible for discrepancies/inconsistencies that may occur due to the automobile manufacturing changes or options, or damage that may occur in the automobile during the installation of components while using this booklet.

If you have any further questions, call our toll free technical help line at: **1-800-621-3695x3**

FACTORY STEREO REMOVAL

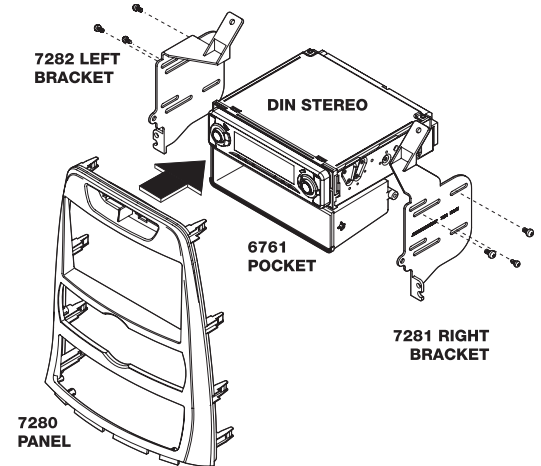
2010 HYUNDAI GENESIS COUPE (with automatic climate controls & non-navigation)

1. With pick tool, unclip the shift lock release clip and shift vehicle to "D"
2. With Panel Removal Tool (PRT), unclip the panel surrounding shifter, start from the bottom then pull towards back of car.
3. Extract (2) 8mm/Phillips head screws securing bottom of radio panel.
4. With PRT unclip radio panel, unplug and remove.
5. Remove pocket under A/C controls by extracting (4) Phillips head screws from behind. Retain for reassembly.
6. Remove A/C control switch from radio panel by extracting (4) Phillips head screws from behind. Retain for reassembly.
7. With PRT unclip the air bag and hazard switch from radio panel. Retain for reassembly.
8. With PRT unclip panel surrounding radio display "above radio"
9. Extract (4) Phillips head screws securing radio, (2) on top and (2) on bottom, pull radio out, unplug and remove.

MOUNTING THE STEREO

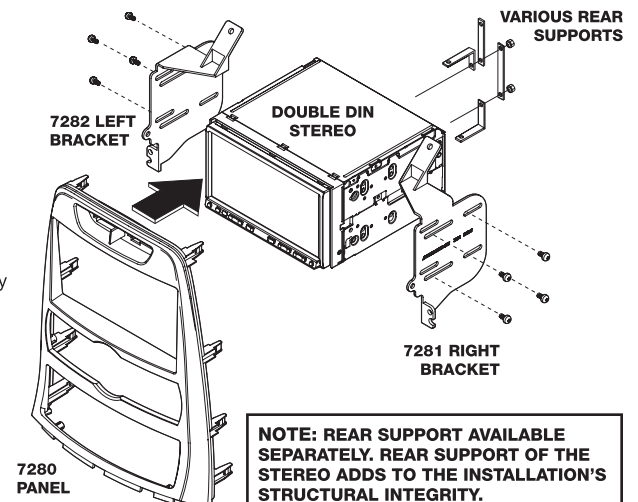
SINGLE DIN MOUNT

1. Attach 6761 pocket to 7281 & 7282 brackets using supplied screws.
2. Screw A/C climate controls, factory pocket, and clip factory hazard switch to 7280 panel.
3. Align and attach 7280 and 7281 brackets to aftermarket single din stereo using the screws supplied with the stereo.
4. Reconnect aftermarket stereo. Screw brackets and stereo assembly in to dash opening.
5. Reconnect 7279 panel assembly and snap into dash. Finish reassembly.



DOUBLE DIN MOUNT

1. Screw A/C Climate controls, factory pocket, and clip factory hazard switch to 7280 panel.
2. Align and attach 7281 and 7282 brackets to aftermarket double din stereo using the screws supplied with the stereo.
3. Reconnect aftermarket stereo. Screw brackets and stereo assembly in to dash opening.
4. Reconnect 7279 panel assembly and snap into dash. Finish reassembly.



NOTE: REAR SUPPORT AVAILABLE SEPARATELY. REAR SUPPORT OF THE STEREO ADDS TO THE INSTALLATION'S STRUCTURAL INTEGRITY.