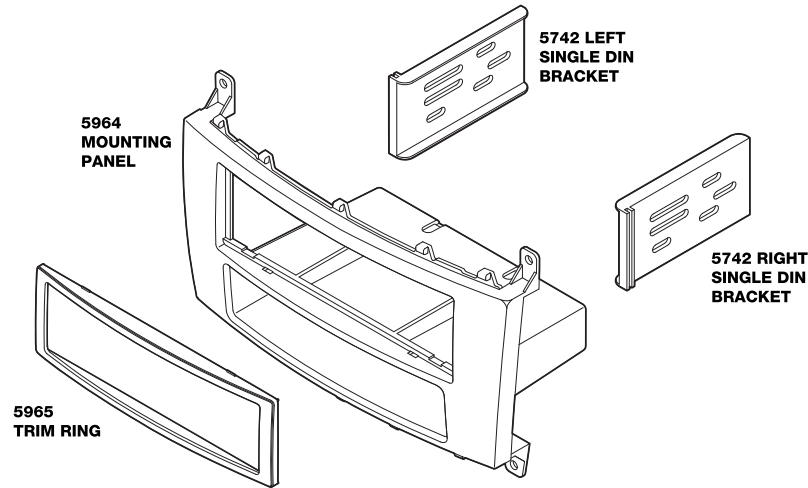


**IN-DASH STEREO INSTALLATION KIT FOR  
2005-UP MERCEDES-BENZ C-CLASS, CLK**



**INTRODUCTION / PRELIMINARY**

This premium installation kit is for 2005-Up Mercedes-Benz C-Class & CLK vehicles. Included are all the parts you need to mount your car stereo or CD player into your vehicle's dash. Refer to the individual instruction in this manual to remove your vehicle's factory radio and assemble the kit.

**CAUTION**

Disconnect your vehicle's negative battery terminal before the installation to help prevent electrical damage. We recommend the use of a volt/ohm meter over a test light to check wiring. A test light or grounded wire probe can cause damage to the vehicle's computer and/or diagnostic systems. Avoid all factory airbag wiring - airbags can accidentally deploy causing serious injury or death.

**NOTES**

- See your vehicle's instructions for any special tools your installation might require.
- Read all instructions accompanying your car stereo for proper wiring and mounting instructions.

**FACTORY WIRING CODES**

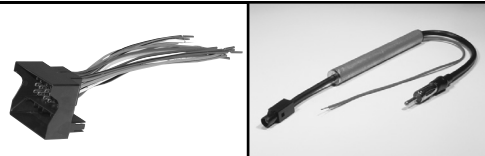
For Factory Wiring Codes go to: [www.scosche-cars.com](http://www.scosche-cars.com)

**CAR STEREO CONNECTORS**

PROVIDE EASY CONNECTION OF YOUR CAR STEREO TO FACTORY WIRING HARNESS.

**VW03**  
2002-Up BMW  
and Volkswagen

**VWA4**  
2002-Up Audi/BMW/VW  
Antenna Adapter



**LIABILITY DISCLAIMER**

This instruction booklet is based on carefully documented data and research of automobile dash disassembly, wire harness/codes and information pertaining to installation of this kit (MZ2346B) in 2005-Up Mercedes-Benz C-Class, CLK, vehicles. Scosche Industries, Inc. can not be held responsible for discrepancies/inconsistencies that may occur due to the automobile manufacturing changes or options, or damage that may occur in the automobile during the installation of components while using this booklet.

If you have any further questions, call our toll free technical help line at:

**1-800-621-3695x3**

©2009 SCOSCHE INDUSTRIES, INC.

SI 7/09 MZ2346B (3000003)

**FACTORY STEREO REMOVAL**

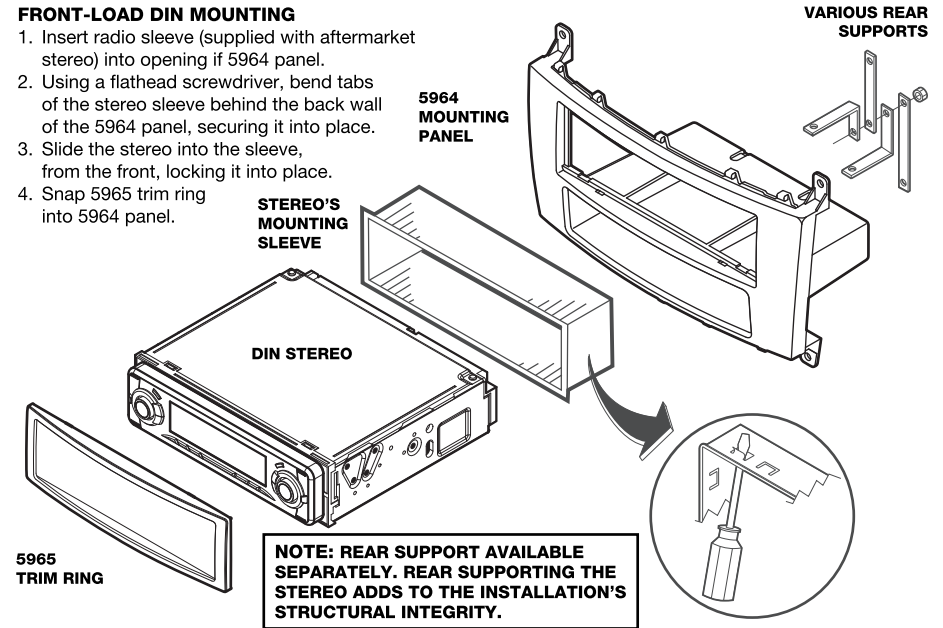
**2005-UP MERCEDES-BENZ C-CLASS AND CLK**

1. Unsnap bottom release clip in vent, rotate vent upwards and extract one (1) T20 torx from behind. Rotate vent down to release top release clip in vent. Rotate vent downwards and use pick tool to unclip release clips. Unsnap vent panel, lift away and remove.
2. Extract two (2) T20 torx securing hazard light module, unsnap, lift away, disconnect and remove.
3. Put gear shifter in neutral. Unsnap front of shifter bezel. Do not remove entire shifter bezel-only unsnap front position.
4. Open ashtray door. Using a pick tool release two (2) clips located at the front of the unit. Lift away and remove.
5. Extract two (2) T20 torx screws securing HVAC, lift away, disconnect and remove.
6. Extract four (4) T20 head screws securing factory stereo. Lift away, disconnect and remove.

**NOTE:** Remove four (4) metal clips from stereo tabs, and place on Scosche mounting panel tabs.

**FRONT-LOAD DIN MOUNTING**

1. Insert radio sleeve (supplied with aftermarket stereo) into opening of 5964 panel.
2. Using a flathead screwdriver, bend tabs of the stereo sleeve behind the back wall of the 5964 panel, securing it into place.
3. Slide the stereo into the sleeve, from the front, locking it into place.
4. Snap 5965 trim ring into 5964 panel.



**REAR-LOAD DIN MOUNTING**

1. Attach 5742L & 5742R ISO brackets to 5964 panel by sliding into the DIN opening side walls.
2. Load aftermarket stereo between mounting brackets from the back of kit.
3. Using mounting screws supplied with aftermarket stereo, secure stereo into place.
4. Snap 5965 trim ring into 5964 panel.

