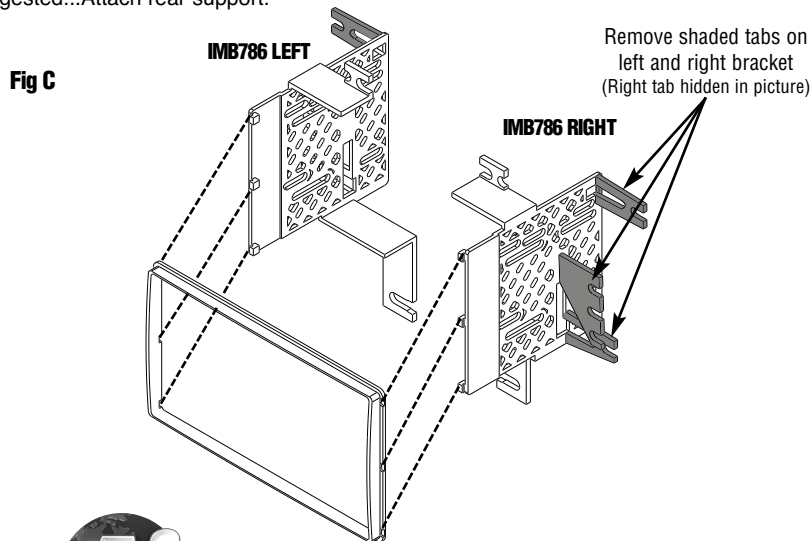


DASH DISASSEMBLY

1. Using a panel removal tool, carefully pry the front edge of the center channel speaker cover upward to unclip and remove from the top of the dash.
2. Remove the (4) Phillips screws securing the center channel speaker (If equipped).
3. Disconnect the center channel wire harness from the speaker and remove speaker if equipped.
4. Carefully pry the lower side edge trim pieces from beside the Vent/Hazard assembly, then using a panel removal tool from inside the center channel speaker area at the top of the dash, slide the panel removal tool between the center channel speaker mount surface, and the base beneath the center channel speaker mount surface and pry upward on the Vent panel assembly, disconnect all harnesses from the rear of the panel and remove assembly.
5. Using a panel removal tool, carefully pry the climate control panel forward and lay out of the way.
6. Remove the (4) Phillips screws securing the radio to the sub-dash.
7. Carefully pull the radio forward, disconnect all wire harnesses and antenna lead and remove radio.

KIT ASSEMBLY INSTRUCTIONS

1. Remove all unnecessary mounting tabs from both L&R brackets (Shaded below in fig.C)
2. Attach ISO brackets to the rear of the main mounting kit.
3. Slide radio into kit from rear & attach to ISO mounting brackets using screws supplied with radio when possible or screws supplied with kit (do not tighten screws at this time).
4. Slide radio forward or backward for your desired look and then tighten the mounting screws.
5. Suggested...Attach rear support.



American International

Automotive Products Division

1040 Avenida Acaso • Camarillo, CA 93012, U.S.A.

USA Sales (800) 336-6500

Canada Sales (888) 922-3006 • USA Fax (805) 388-7950

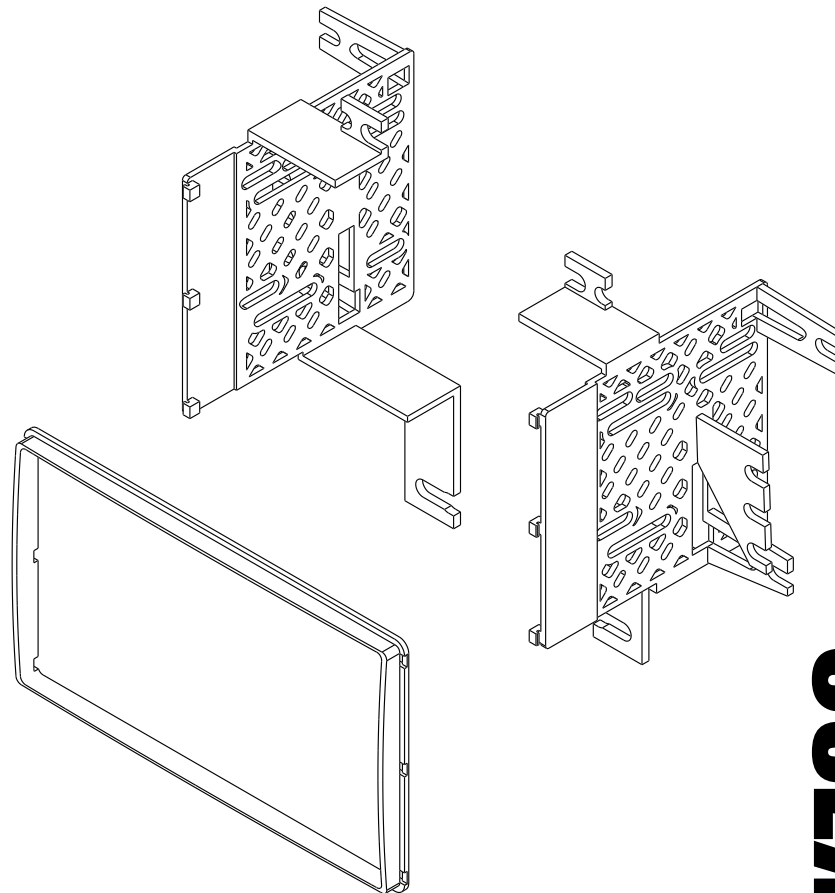
CUSTOMER HELP LINE

USA 800-323-4329 • Canada 800-245-8777

INDK786



American International



NDK786 Mounting Kit

VEHICLE APPLICATIONS

Nissan

- 2007-14 VERSA SEDAN (w/BASE CD Player)
- 2007-12 VERSA HATCHBACK (w/BASE CD Player)
- 2014 VERSA NOTE (w/BASE CD Player)
- 2011-13 ROGUE (w/BASE CD Player)

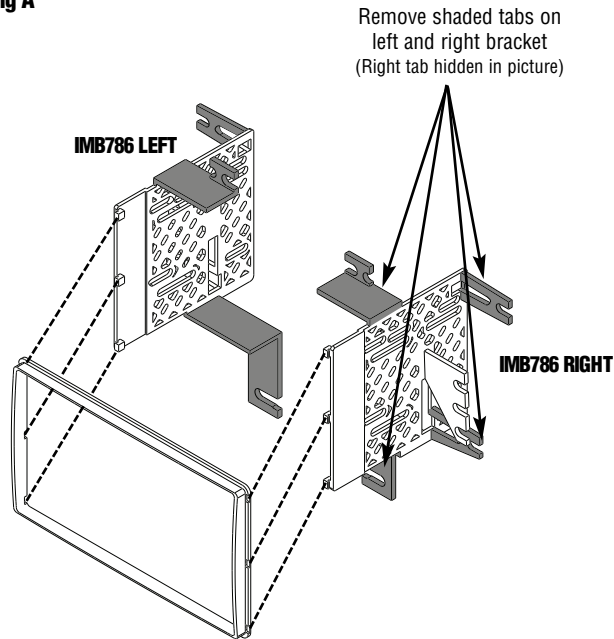
DASH DISASSEMBLY

1. Starting from the front, carefully pry up on the top dash vent trim and pull forward to remove.
2. Remove the (2) Phillips screws securing the top edge of the radio trim bezel.
3. Carefully pull the radio trim bezel forward, disconnect all attached harnesses from the back of the radio trim bezel and remove trim bezel.
4. Remove the (4) Phillips screws securing the factory radio to the sub-dash.
5. Carefully pull the radio forward, disconnect all harnesses and antenna connector and remove radio.

KIT ASSEMBLY INSTRUCTIONS

1. Remove all unnecessary mounting tabs from both L&R brackets (Shaded below in figure A)
2. Attach ISO brackets to the rear of the main mounting kit.
3. Slide radio into kit from rear & attach to ISO mounting brackets using screws supplied with radio when possible or screws supplied with kit (do not tighten screws at this time).
4. Slide radio forward or backward for your desired look and then tighten the mounting screws.
5. Suggested...Attach rear support.

Fig A



DASH DISASSEMBLY

1. Carefully pry forward and unclip the Radio/Vent trim bezel and then unplug the hazzard and airbag light (do not turn key on once unplugged). Remove panel.
2. Remove the (4) Phillips screws securing the radio to the sub-dash
3. Pull the radio forward, disconnect all harnesses and antenna lead and remove radio.

KIT ASSEMBLY INSTRUCTIONS

1. Remove all unnecessary mounting tabs from both L&R brackets (Shaded below in figure B)
2. Attach ISO brackets to the rear of the main mounting kit.
3. Slide radio into kit from rear & attach to ISO mounting brackets using screws supplied with radio when possible or screws supplied with kit (do not tighten screws at this time).
4. Slide radio forward or backward for your desired look and then tighten the mounting screws.
5. Suggested...Attach rear support.

Fig B

