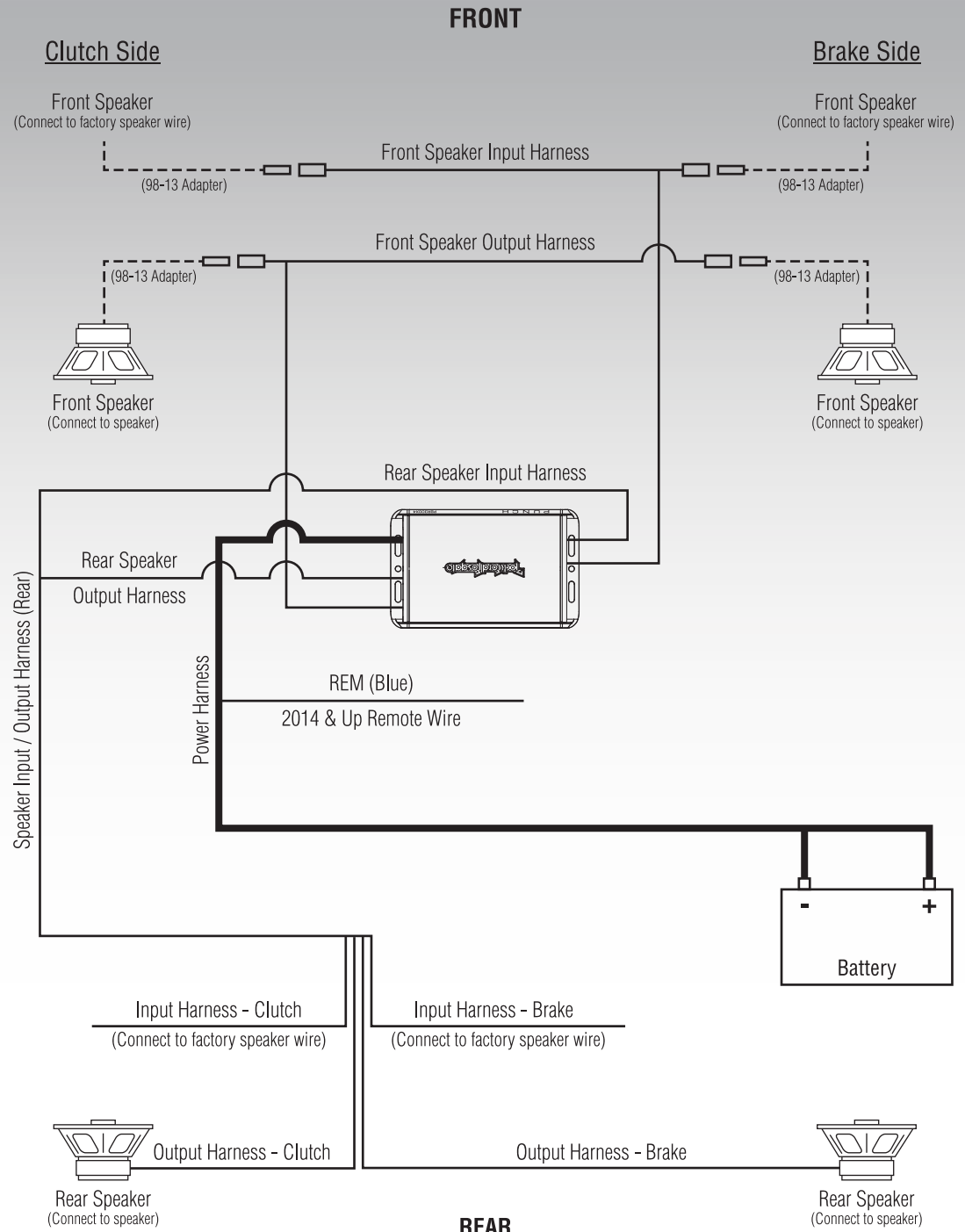


## **RFKHD** - H-D Amplifier Installation Kit

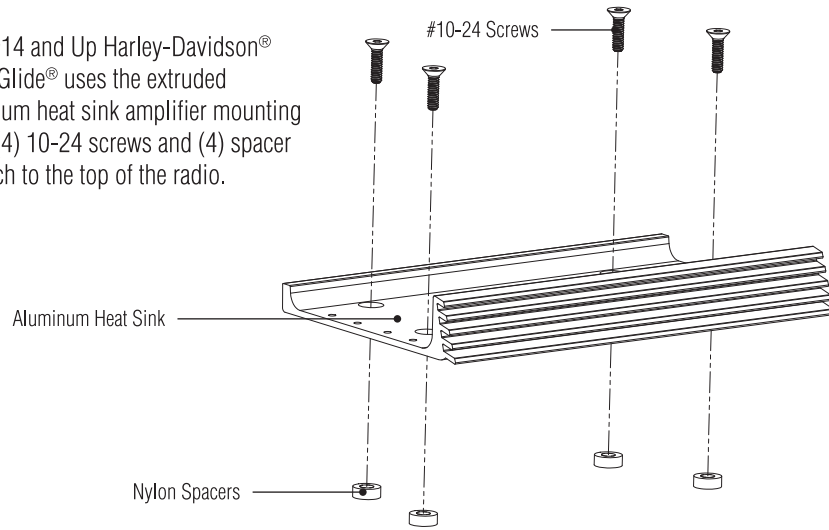
This kit comes ready to plug directly into 2014 & Up Harley-Davidson® Motorcycles using the factory style connectors. If you are installing on a 1998-2013 motorcycle, you will need to use the wire connector adapters to connect to the factory wire harness and new speakers.

**NOTE:** This wiring diagram is for a standard 4-Channel amplifier installation. If you are using a 2-Channel amplifier, DO NOT use the Rear Input / Output Harness.



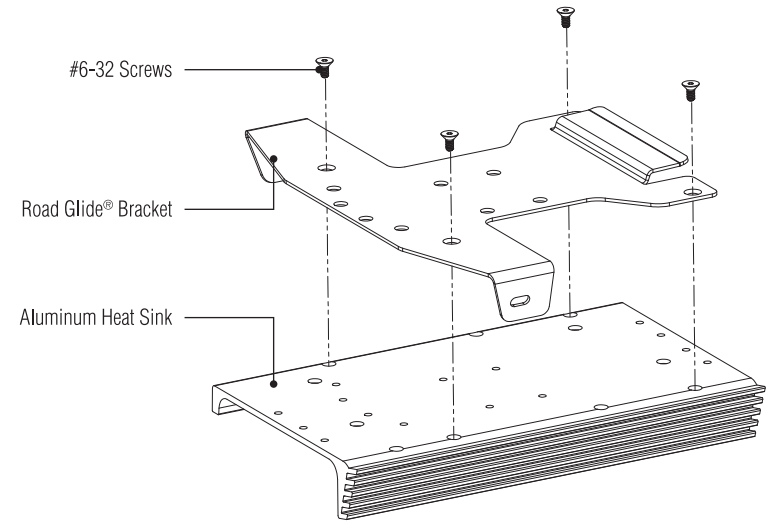
### 14 & Up - Street Glide®

The 2014 and Up Harley-Davidson® Street Glide® uses the extruded aluminum heat sink amplifier mounting plate, (4) 10-24 screws and (4) spacer to attach to the top of the radio.



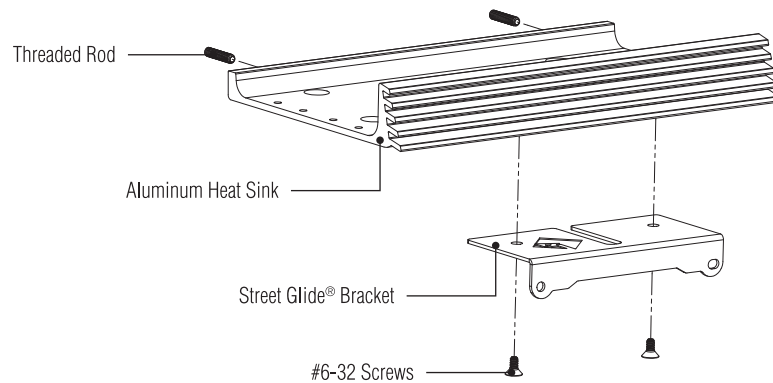
### 15 & Up - Road Glide®

The 2015 and Up Harley-Davidson® Road Glide® uses the extruded aluminum heat sink amplifier mounting plate and (1) support brackets to mount onto the motorcycle.



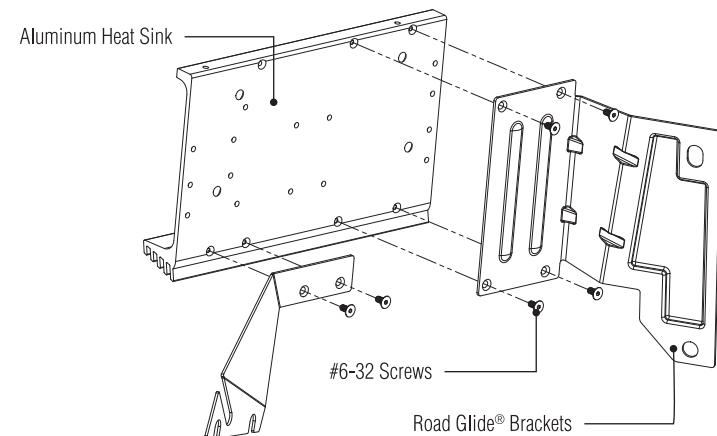
### 98-13 - Street Glide®

The 1998 through 2013 Harley-Davidson® Street Glide® uses the extruded aluminum heat sink amplifier mounting plate and (1) support bracket to mount onto the motorcycle's radio.



### 98-13 - Road Glide®

The 1998 through 2013 Harley-Davidson® Road Glide® uses the extruded aluminum heat sink amplifier mounting plate and (2) support brackets to mount onto the motorcycle.



Refer to [rockfordfosgate.com](http://rockfordfosgate.com) for complete installation manuals and videos.